

TURBO

PRODUCTS

MODULAR FRAGMENTED ICE SYSTEMS

MCLA: MODULAR C-LINE AMMONIA

WWW.TURBOPRODUCTS.COM



TURBO POWERED BY OMEGA

MODULAR FRAGMENTED ICE SYSTEMS

MCLA: Modular C-Line Ammonia



Single Modular with End Panel Kit

The Turbo Products MCLA (Modular C line Ammonia) uses a water defrost, water pre-chill and hot gas for the defrost harvest cycle. Individual modules produce 13 to 19 tons per day of 1/4" to 1/2" fragmented ice which is dry to touch and immediately ready to package or use. These modules can be assembled in a programmed sequenced array with a master panel to produce ice over 250 tons per day.

MCLA Standard Features:

- » Ammonia Operation (Liquid Recirculated)
- » Stainless Steel Front and Rear Panels
- » Voltage - 230V or 460V, 3PH, 60Hz Power
- » Voltage - 120V, 1PH, 60Hz Controls
- » Allen Bradley Micrologix PLC
- » Stainless Steel Evaporator Piping
- » Stainless Steel Upper and Lower Frame



Modular Skid Package (4)

MCLA Options:

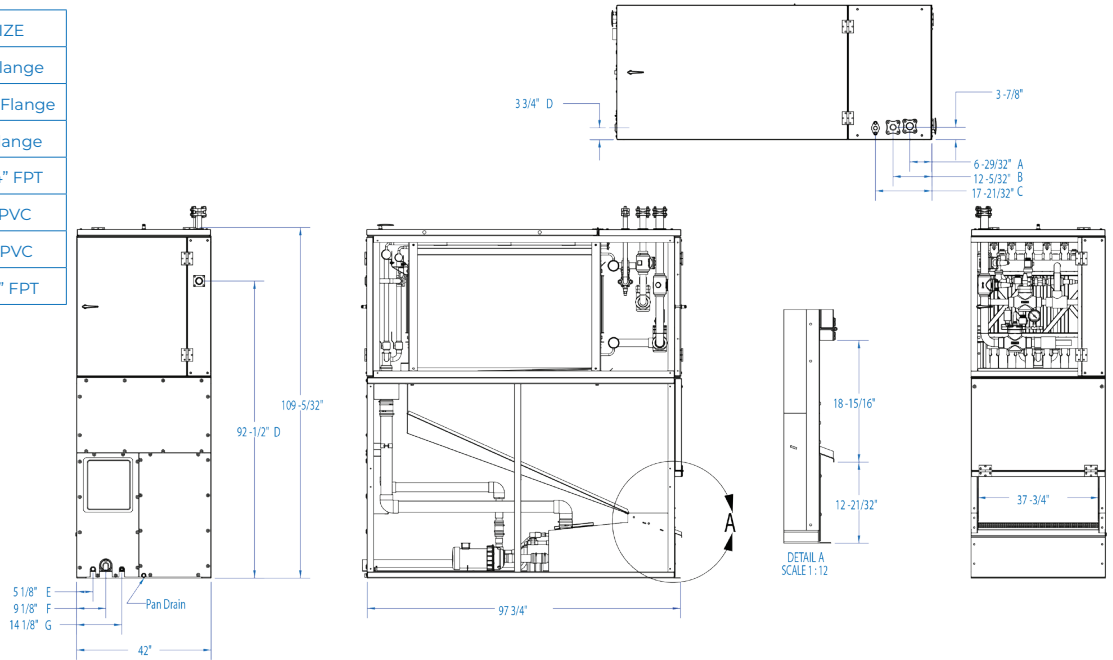
- » Voltage - 400V, 3PH, 50Hz Power
- » Voltage - 575V, 3PH, 60Hz Power
- » End Panel Kit
- » AB Ethernet Interface Module
- » Split Crating for Container/LTL Loading
- » Canadian Registration Number (CRN)
- » Export crating (ISPM-15 Rated)
- » Automation Direct PLC (Module only)
- » R/S Control Valves
- » Base Frames / Headers for Skidding up to 6 Modules
- » Master Panels for Control of up to 18 Modules
- » Hot Gas/Liquid Strainer/Defrost Pressure Regulator Kit

CAPACITY TABLE, TONS OF ICE PER 24 HOURS AT SUCTION TEMPERATURE 0°F (-18°C) (LIQUID OVERFEED)

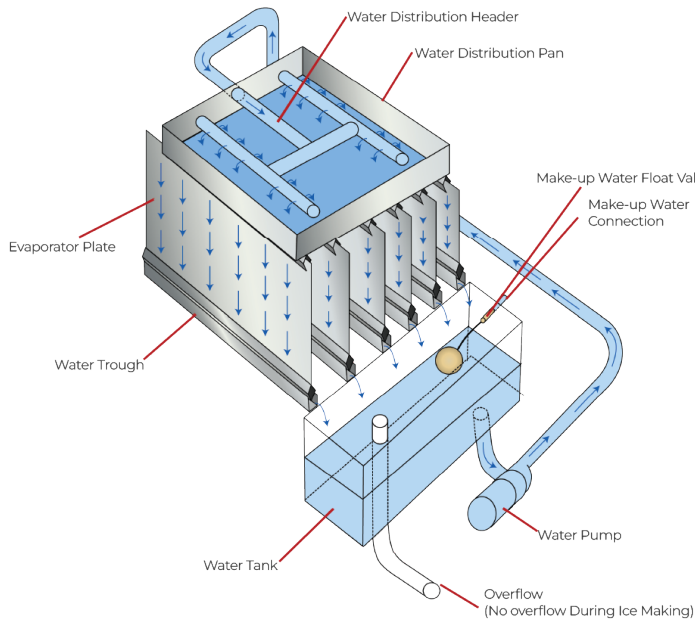
Water Temperature	Capacity (US Tons/24hrs)		Refrigeration Capacity (TR)		Capacity (Metric Tons/24hrs)		Refrigeration Capacity (KW)	
	Ice Thickness		Ice Thickness		Ice Thickness		Ice Thickness	
	1/4"	1/2"	1/4"	1/2"	1/4"	1/2"	1/4"	1/2"
80°F (27°C)	16.4	13.3	29.2	20.4	14.9	12.1	102.8	71.8
70°F (21°C)	17.1	14.0	29.2	20.4	15.5	12.7	102.8	71.8
60°F (16°C)	17.9	14.8	29.2	20.4	16.3	13.5	102.8	71.8
50°F (10°C)	18.8	15.6	29.2	20.4	17.1	14.2	102.8	71.8

Capacity ratings based on central plant operation with 60 second harvest. Consult factory for dedicated compressor ratings.

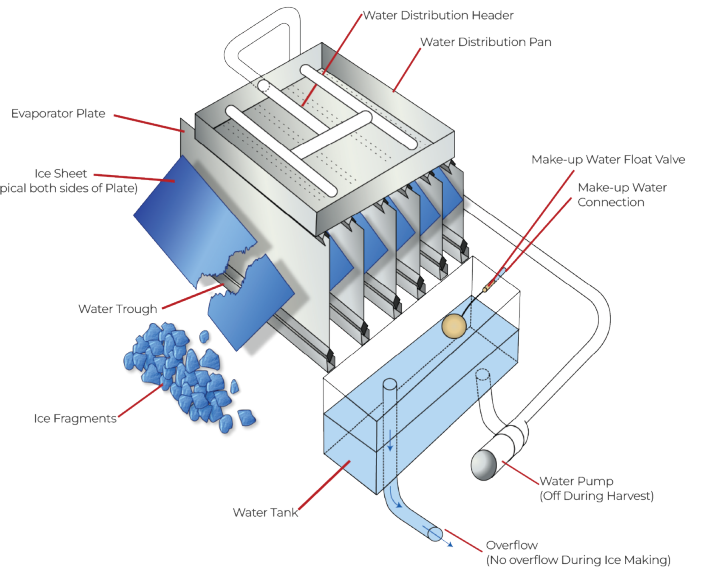
MCLA-LR Connections	SIZE	
A	SUCTION	2" Flange
B	HOT GAS	1-1/2" Flange
C	LIQUID	1" Flange
D	DEF WATER	1-1/4" FPT
E	WATER TANK DRAIN	1" PVC
F	WATER TANK OVERFLOW	3" PVC
G	WATER TANK MAKEUP	3/4" FPT



Principles of Operation



Ice Making



Ice Harvesting

Operating Conditions

The ice machine shall not be subjected to an atmospheric temperature lower than 50°F (10°C) nor higher than 90°F (32°C) without effect on performance. Water for condensing or ice making purposes shall be non-corrosive. The water shall be at a constant pressure no less than 30lb at the ice machine location. The condition of the water to make satisfactory ice shall be the responsibility of the purchaser.

Turbo Products Certifications

TURBO PRODUCTS, LLC
 212700 LASER DRIVE
 STRATFORD, WI 54484
 PHONE: 715.687.8102
 SALES@TURBOPRODUCTS.COM



ASME U-stamp, Canadian Registration Number, PED

TURBO
 PRODUCTS