



Keeping America Cool Since 1952

PL150

Pallet Load Ice Merchandiser



Capacity

- 150 Cubic Feet (*approx.*)

Outside Dimensions

- Width 72"
- Depth 54"
- Height 101"

Attributes

- Load Door Opening: 64"W x 78"H
- Merchandiser Doors: 28"W x 56"H
- Auto Defrost
- 3/4 Horsepower Compressor
- 13 Amps (*Requires 20 Amp Circuit*)
- R404A Refrigeration

Features:

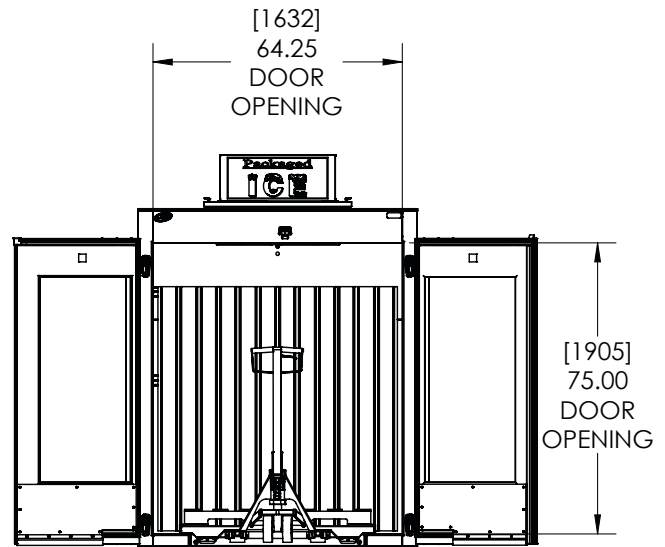
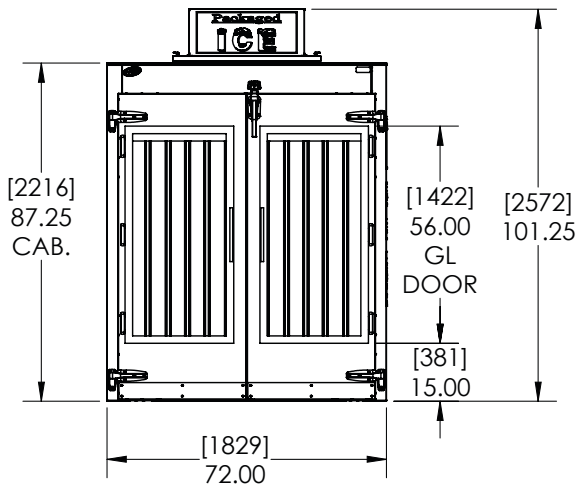
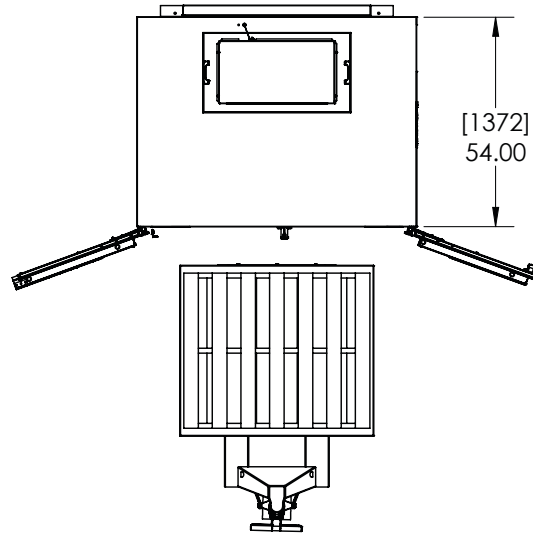
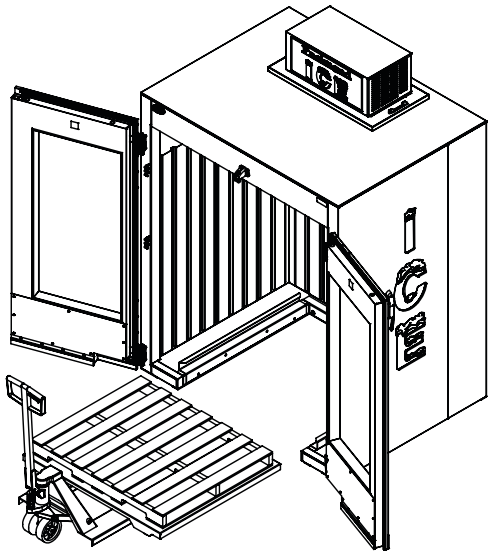
- Accommodates standard 42" x 48" ice pallet
- Ample interior space for leaning loads
- Front facing French-style pallet load doors for easy access
- Patented insulated removable floor, no ramps needed
- Drop-in refrigeration, with lift-off handles, for easier serviceability
- Smooth white interior and exterior finish
- Double tube LED illumination for a brighter box to properly showcase packaged ice
- Condensate evaporator pan 115/1/60



Stage full pallet of ice on insulated removable floor. Place the floor with pallet load of ice directly into the unit with a standard pallet jack.

PL150

Pallet Load Ice Merchandiser



U.S. Pat. No. 9,392,886 • U.S. Pat. No. 9,795,227

Leer has been designing, building and improving ice merchandisers since 1952. We keep a large inventory of finished goods and replacement parts on hand at all times. Over 50 models of merchandisers, including cash-less self-vending machines are available from stock and through our distribution partners.



An Employee Owned Company

Leer Inc.
206 Leer St.
New Lisbon, WI 53950
Phone: 800.766.5337
Fax: 608.562.6022
www.leerinc.com